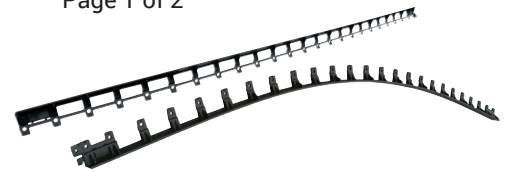




**GATOR EDGE RIGID & FLEX**  
TDS Revision Date (dd/mm/yyyy): 09/09/2019

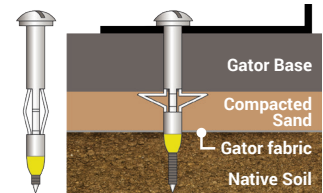


# TECHNICAL DATA SHEET

**Update:** September 9, 2019  
Make sure you have an updated data sheet on hand.  
Canada and U.S. dial **1-855-847-7767** or (450) 624-1611

**Description:** **Gator Edge Rigid & Flex** are made with 100% Polypropylene Co-Polymer. This will give it great strength as well as provide great flexibility. We have a Rigid model which is ideal for straight applications and the Flex model that can be used for all curved applications such as walkways, paths, entrances etc. Both the **Rigid and Flex** can be locked together with the "Twist & Lock" system. Finally the Rigid could be transform in a partial Flex by cutting the bridge support between each triangular angles.

- Features:**
- The Flex can connect to the Rigid.
  - Use a "Twist & Lock" connection system.
  - Will not corrode.
  - Easy-to-use.
  - Available in flexible or rigid edges.
  - Xtra versatile.
  - Xtra robust system.
  - Xtra support strength.
  - UV resistant.
  - Comes in 8-ft lengths.
  - Use with Gator Nails.
  - Use Gator Base Screws in Gator Base application.



**Gator Base Screws**

**For use on:** **GATOR EDGE** is an excellent choice to help define alleys, driveways or sidewalks. **GATOR EDGE** is designed for straight or curved installation. It is especially easy to use and quick to install.

## INSTALLATION INSTRUCTIONS:

1. It can be installed either before or after the paver installation.
2. Use one 10" nail every second hole and at every Twist & Lock junction, this will ensure continuous lateral support. Make sure edges are installed on a compacted structural aggregate base.
3. Use one Gator Base Screw every second hole and at every Twist & Lock junction, this will ensure continuous lateral support when using Gator Base
4. Use the Twist & Lock feature to secure the edging lengths together.

**Packaging: Product**

- |                         |                                                                                                                                                                        |
|-------------------------|------------------------------------------------------------------------------------------------------------------------------------------------------------------------|
| <b>Gator Edge Flex</b>  | 1 piece = 8 linear feet<br>1 Mini-pack = 6 pieces = 48 linear feet<br>1 Master-pack = 4 Mini-packs = 192 linear feet<br>1 pallet = 28 Master-packs = 5,376 linear feet |
| <b>Gator Edge Rigid</b> | 1 piece = 8 linear feet<br>1 Mini-pack = 6 pieces = 48 linear feet<br>1 Master-pack = 4 Mini-packs = 192 linear feet<br>1 pallet = 28 Master-packs = 5,376 linear feet |

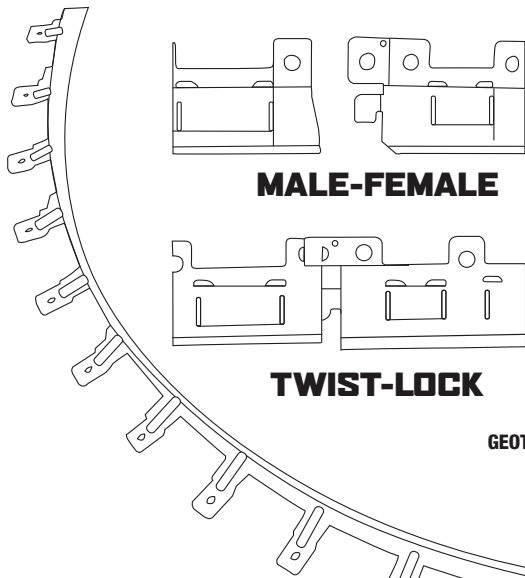
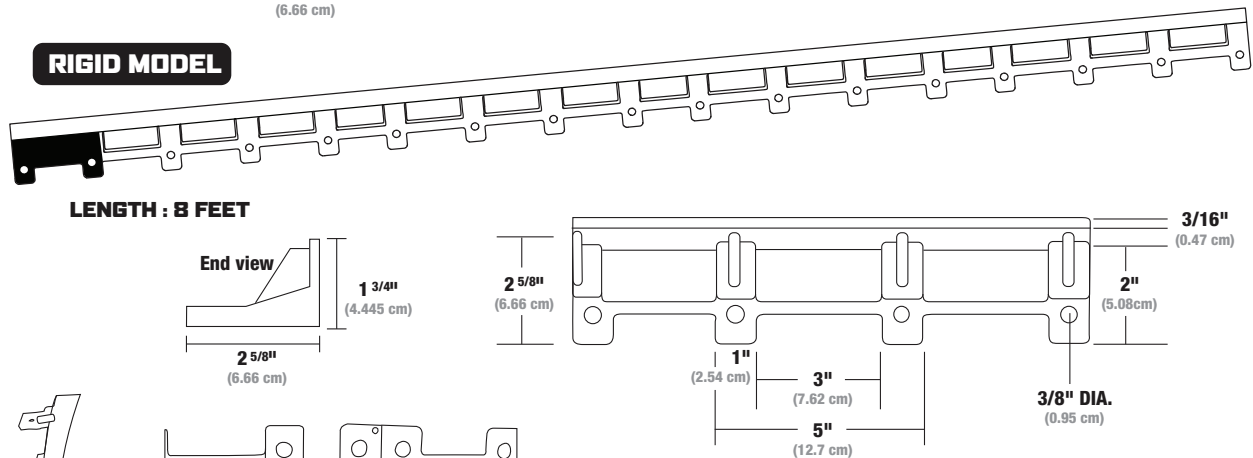
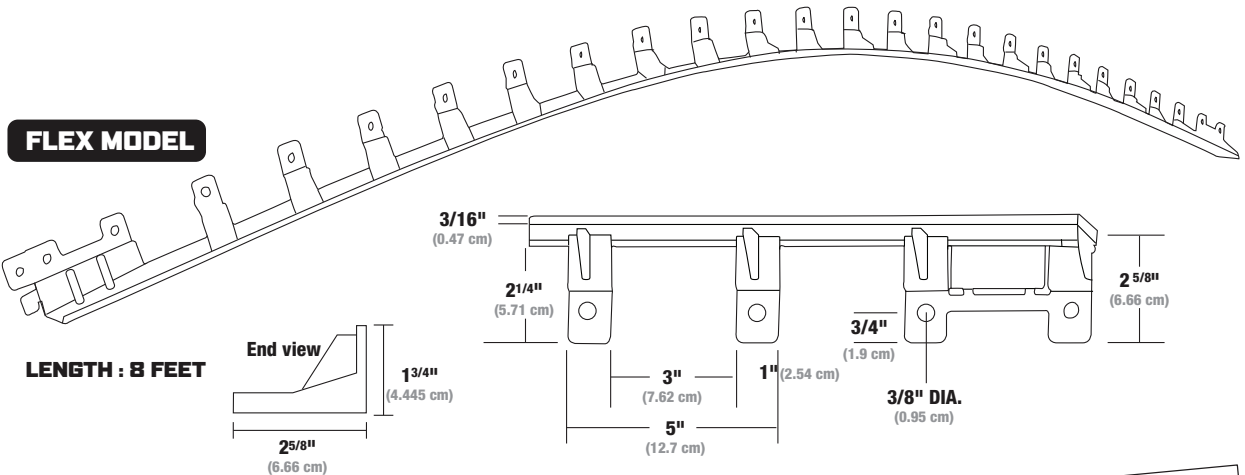
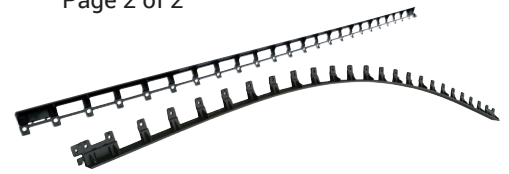


**Alliance Designer Products Inc.**  
225 Blvd. Bellerose West, Laval, Quebec, Canada H7L 6A1  
Tel.: 450 624-1611 Fax : 450 624-1622 Toll free : 1 866-212-1611  
www.alliancegator.com - Email : info@alliancegator.com



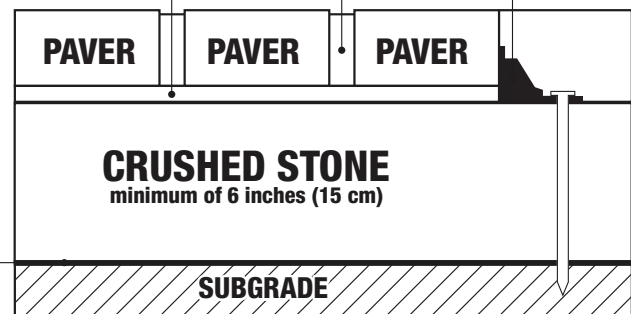
**GATOR EDGE RIGID & FLEX**

TDS Revision Date (dd/mm/yyyy): 09/09/2019



**BEDDING SAND**  
maximum of 1 inch (2.5 cm)

**POLYMERIC SAND**



- Gator Edge is:
- Height 1 3/4"
  - Width 2 5/8"
  - Length 8'

**GATOR EDGE FLEX CAN CONNECT TO GATOR EDGE RIGID**

SEE THE INSTALLATION VIDEO ON ALLIANCEGATOR.COM



Alliance Designer Products Inc.  
 225 Blvd. Bellerose West, Laval, Quebec, Canada H7L 6A1  
 Tel.: 450 624-1611 Fax : 450 624-1622 Toll free : 1 866-212-1611  
 www.alliancegator.com - Email : info@alliancegator.com